



**Electromechanical Actuator
500 Pound Capacity
SERIES TA500**



TAL & TAP models



TAC models

Performance at Rated Load:

Available Models	Clutch	Limit Switch	Potentiometer	Voltage	Speed		Amps	Duty
					mm/min	in/min		
TAL05-1A10-#		✓		115VAC, 60 Hz.	1320	52	4.0 A	17.5%
TAP05-1A10-#		✓	✓					
TAL05-2A10-#		✓		230VAC, 60 Hz.	1370	54	2.0 A	17%
				220VAC, 50 Hz	1140	45	2.5 A	14%
TAP05-2A10-#		✓	✓	230VAC, 60 Hz.	1370	54	2.0 A	17%
				220VAC, 50 Hz	1140	45	2.5 A	14%
TAC05-1D20-#	✓			12 VDC	685	27	10 A	40%
TAC05-2D20-#	✓			24 VDC	685	27	5 A	40%

Note:

= Actuator stroke. Standard strokes are 100mm (4"), 200mm (8"), and 300mm (12").

Custom stroke lengths are available on request.

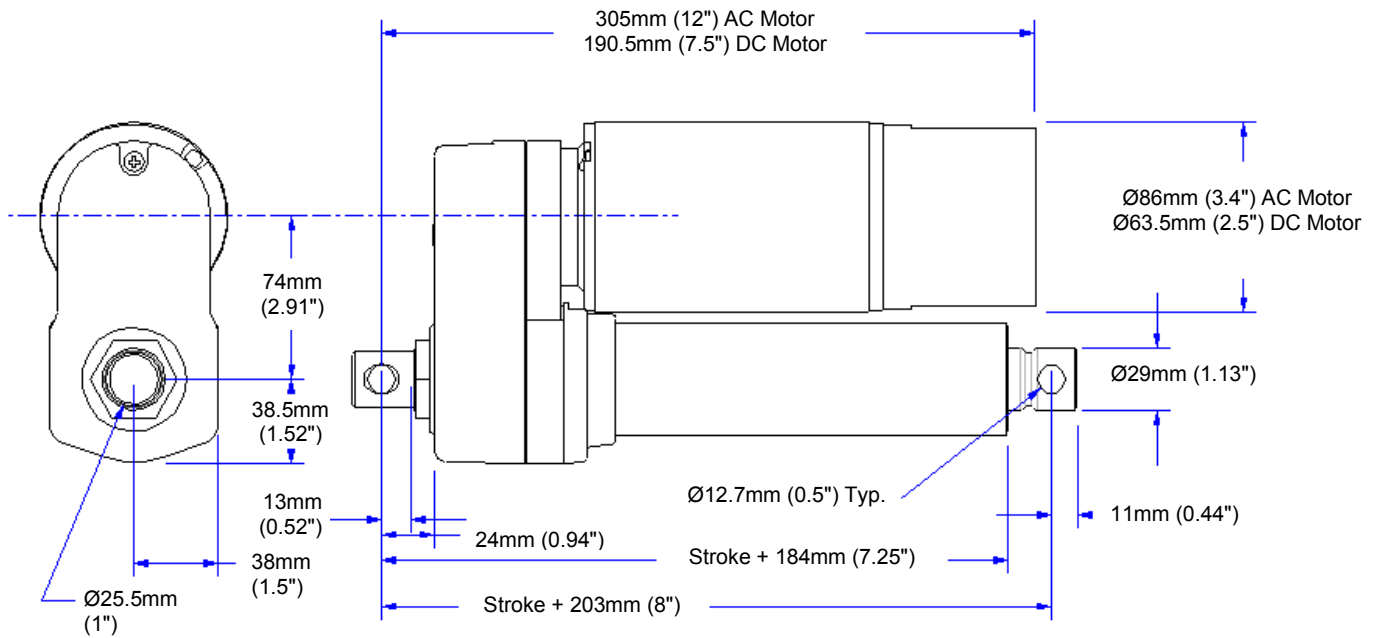
1.1kN (250lb) models (Series TA250) available with double the above speeds. Consult Power Jacks for advice.

Performance figures at rated load. Data is approximate.

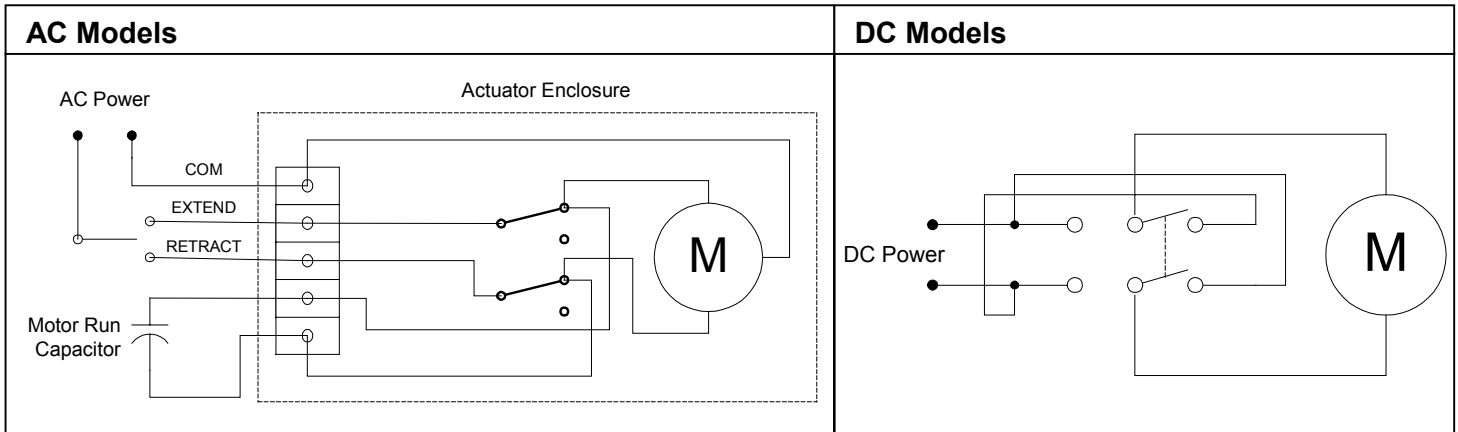
Specifications:

Capacity:	2.2 kN (500 pounds), tension or compression
Static load:	4.4kN (1000 pounds) Maximum
Motor:	AC - TENV, permanent – split-capacitor design requiring externally mounted motor run capacitor (see table).
	DC- Permanent magnet. Note: All models use automatically resetting thermal protectors.
Construction:	Aluminium housing and outer tube, stainless steel translating tube with urethane wiper. Permanently lubricated and maintenance free in normal operation.
Mounting:	Clevis each end.
Drive:	All-metal gear drive with self-locking Acme screw. Bronze lifting nut.
Limit Switch:	TAL & TAP models (only) have Internal, fully adjustable limit switches. With terminal strip for all wiring connections.
Potentiometer:	TAP models (only) = 5000Ω. Approx. 100Ω per inch change.
Clutch:	TAC models (only) Internal to gearbox; provides overload and jam protection.
Temperature:	-29 to 49°C (-20 to 120°F)

Dimensions



Wiring



AC Motor Capacitors		
Voltage	Rating	Stock No.
115	50mfd,370vac	SK6405-7-15
230	15mfd,440vac	SK6405-7-14