



**Electromechanical Actuator  
1000 Pound Capacity  
SERIES TA1000**



**TAL & TAP models**

**Performance at Rated Load:**

Available Models	Clutch	Limit Switch	Potentiometer	Voltage	Speed		Amps	Duty
					mm/min	in/min		
TAL10-1A20-#		✓		115VAC, 60 Hz.	660	26	4.0 A	17.5%
TAP10-1A20-#		✓	✓					
TAL10-2A20-#		✓		230VAC, 60 Hz.	685	27	2.0 A	17%
				220VAC, 50 Hz	560	22	2.5 A	14%
TAP10-2A20-#		✓	✓	230VAC, 60 Hz.	685	27	2.0 A	17%
				220VAC, 50 Hz	560	22	2.5 A	14%

**Note:**

# = Actuator stroke. Standard strokes are 100mm (4"), 200mm (8"), and 300mm (12").

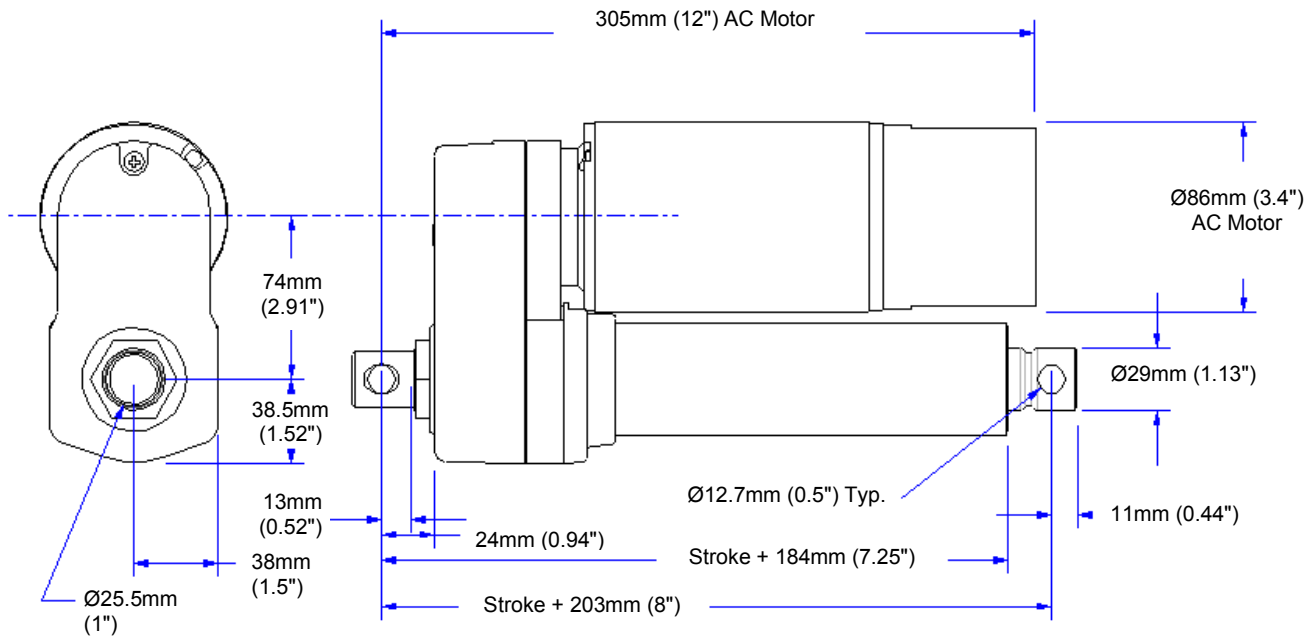
Custom stroke lengths are available on request.

Performance figures at rated load. Data is approximate.

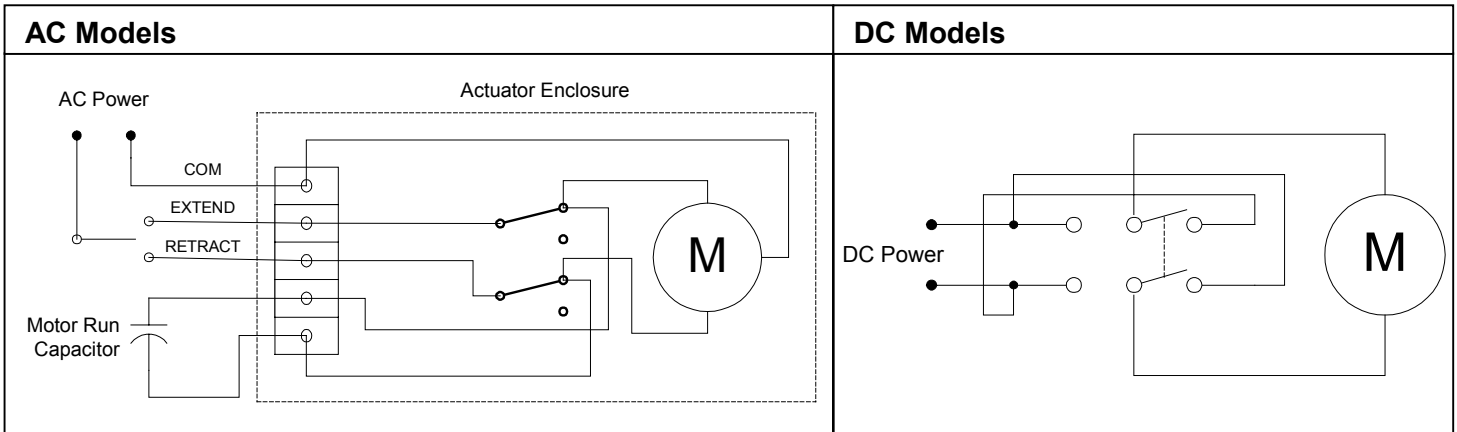
**Specifications:**

Capacity:	4.4 kN (1000 pounds), tension or compression
Static load:	4.4kN (1000 pounds) Maximum
Motor:	AC - TENV, permanent – split-capacitor design requiring externally mounted motor run capacitor (see table).
Construction:	Aluminium housing and outer tube, stainless steel translating tube with urethane wiper. Permanently lubricated and maintenance free in normal operation.
Mounting:	Clevis each end.
Drive:	All-metal gear drive with self-locking Acme screw. Bronze lifting nut.
Limit Switch:	TAL & TAP models (only) have Internal, fully adjustable limit switches. With terminal strip for all wiring connections.
Potentiometer:	TAP models (only) = 5000Ω. Approx. 100Ω per inch change.
Temperature:	-29 to 49°C (-20 to 120°F)

# Dimensions



# Wiring



AC Motor Capacitors		
Voltage	Rating	Stock No.
115	50mfd,370vac	SK6405-7-15
230	15mfd,440vac	SK6405-7-14